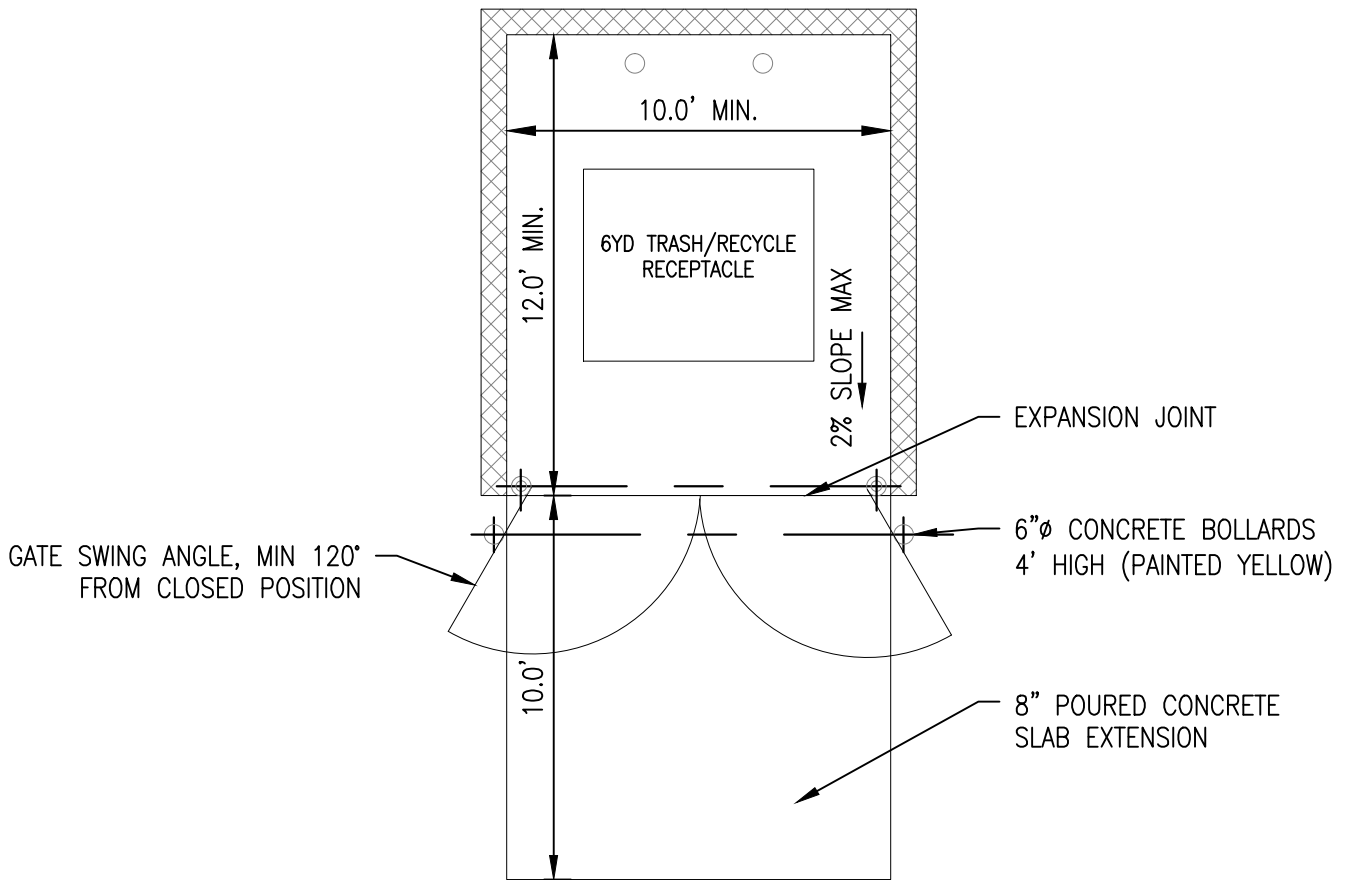


ELEVATION



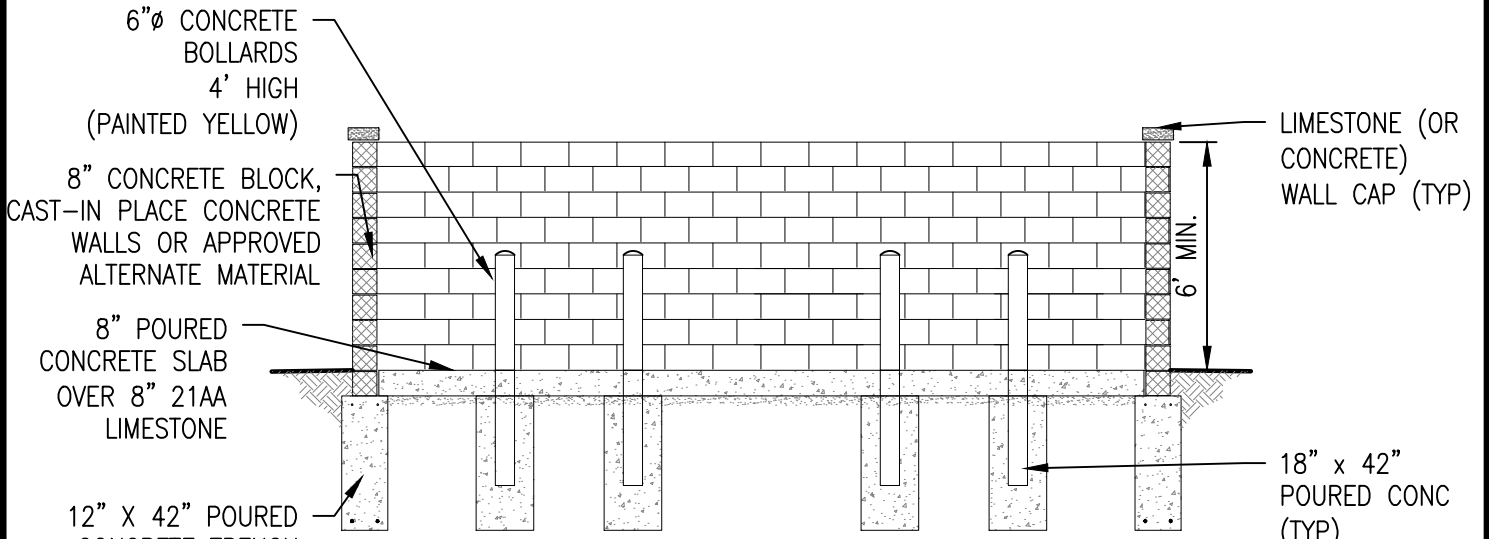
PLAN

SINGLE BIN ENCLOSURE DETAIL

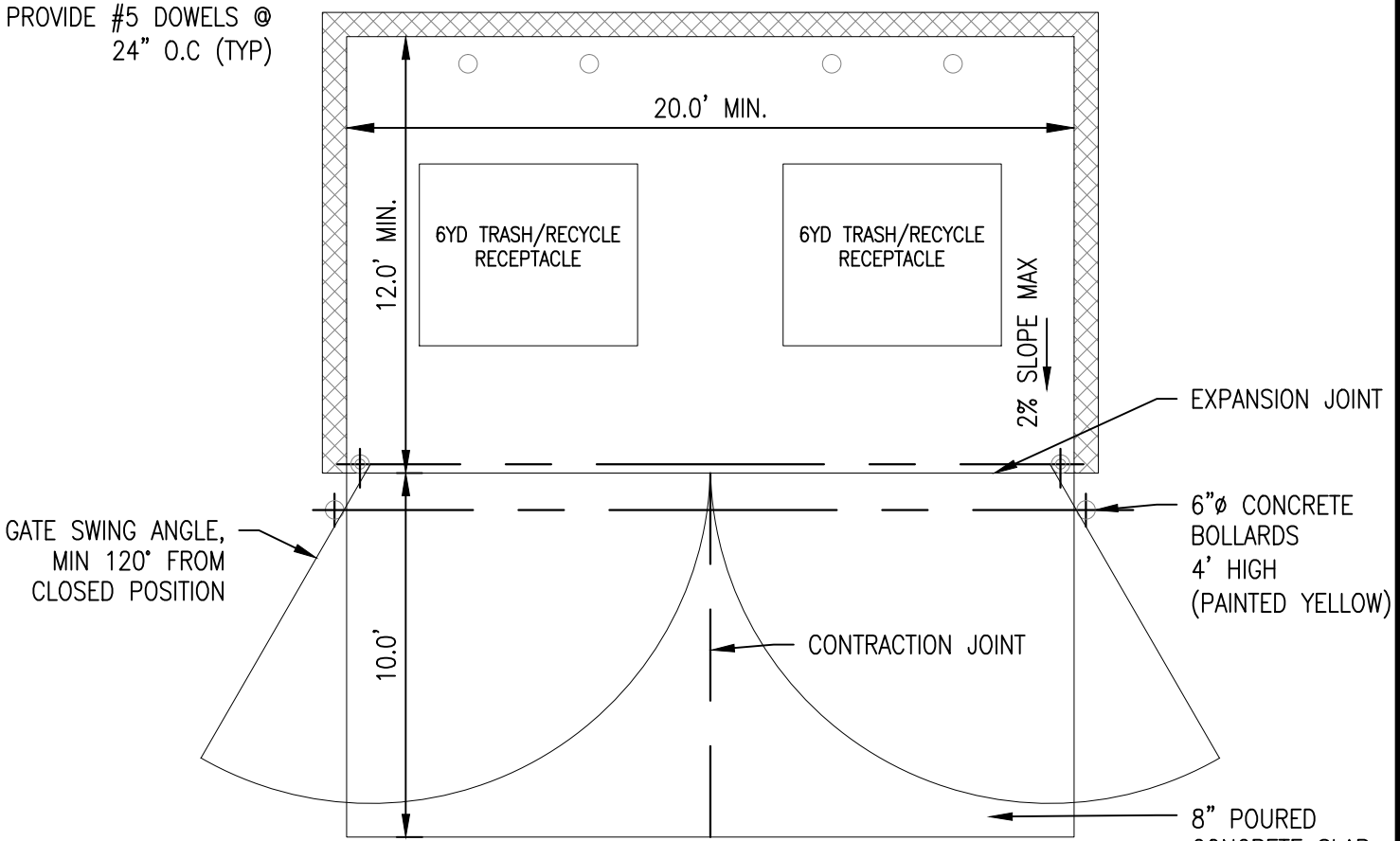


**CITY OF ANN ARBOR  
PUBLIC SERVICES**  
301 EAST HURON STREET  
P.O. BOX 8647  
ANN ARBOR, MI 48107-8647  
734-794-6410  
www.a2gov.org

REV. NO.	DATE	DRAWN BY	CHECKED BY
<b>SOLID WASTE STANDARD DETAILS</b>			
DR. OHM	CH. CJE	DRAWING NO.	
SCALE N.T.S.	DATE 12/29/15	<b>PAGE 1</b>	



ELEVATION



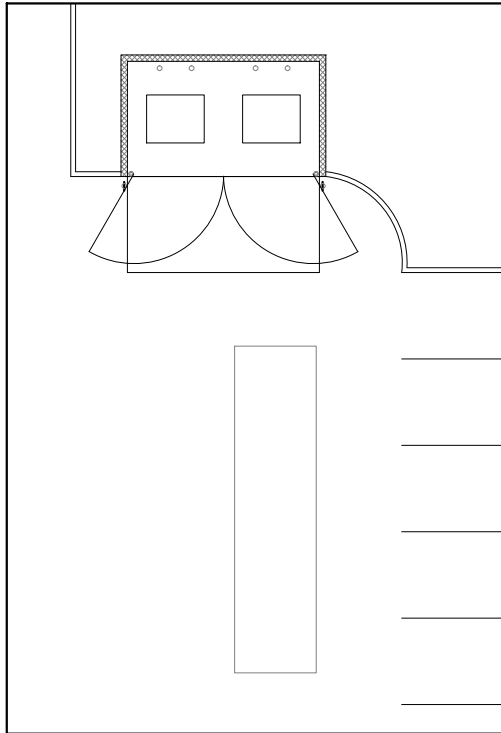
PLAN

DOUBLE BIN ENCLOSURE DETAIL

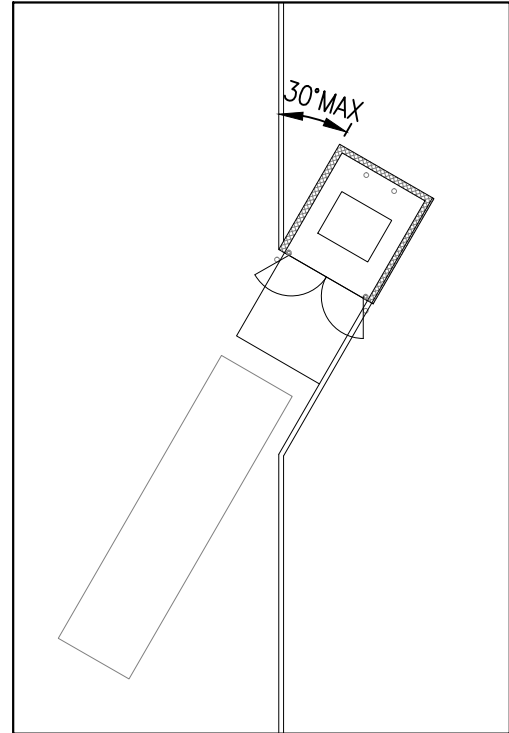


**CITY OF ANN ARBOR  
PUBLIC SERVICES**  
301 EAST HURON STREET  
P.O. BOX 8647  
ANN ARBOR, MI 48107-8647  
734-794-6410  
www.a2gov.org

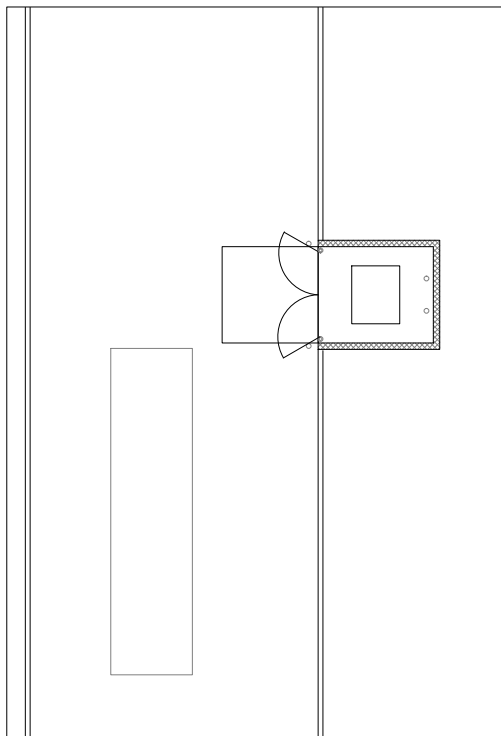
REV. NO.	DATE	DRAWN BY	CHECKED BY
<b>SOLID WASTE STANDARD DETAILS</b>			
DR. OHM	CH. CJE	DRAWING NO.	
SCALE N.T.S.	DATE 12/29/15	<b>PAGE 2</b>	



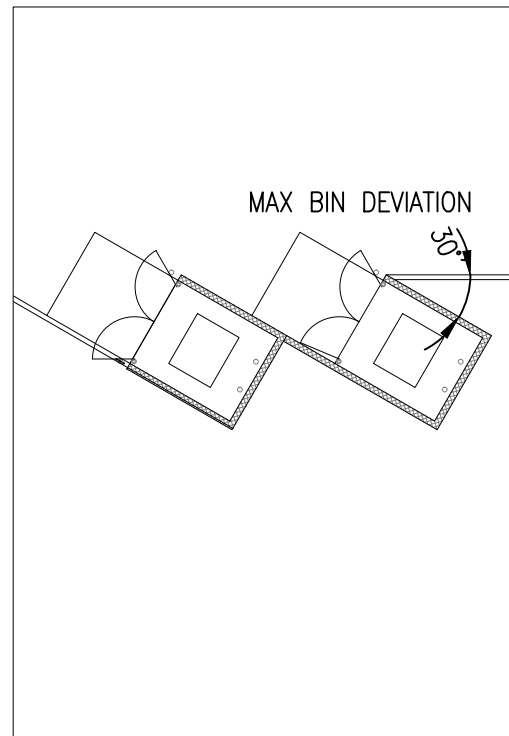
DIRECT ACCESS  
(PREFERRED)



OPTIONAL ANGLED DIRECT ACCESS  
(ACCEPTABLE WITH APPROVAL)



NON-DIRECT ACCESS  
(NOT ACCEPTABLE)



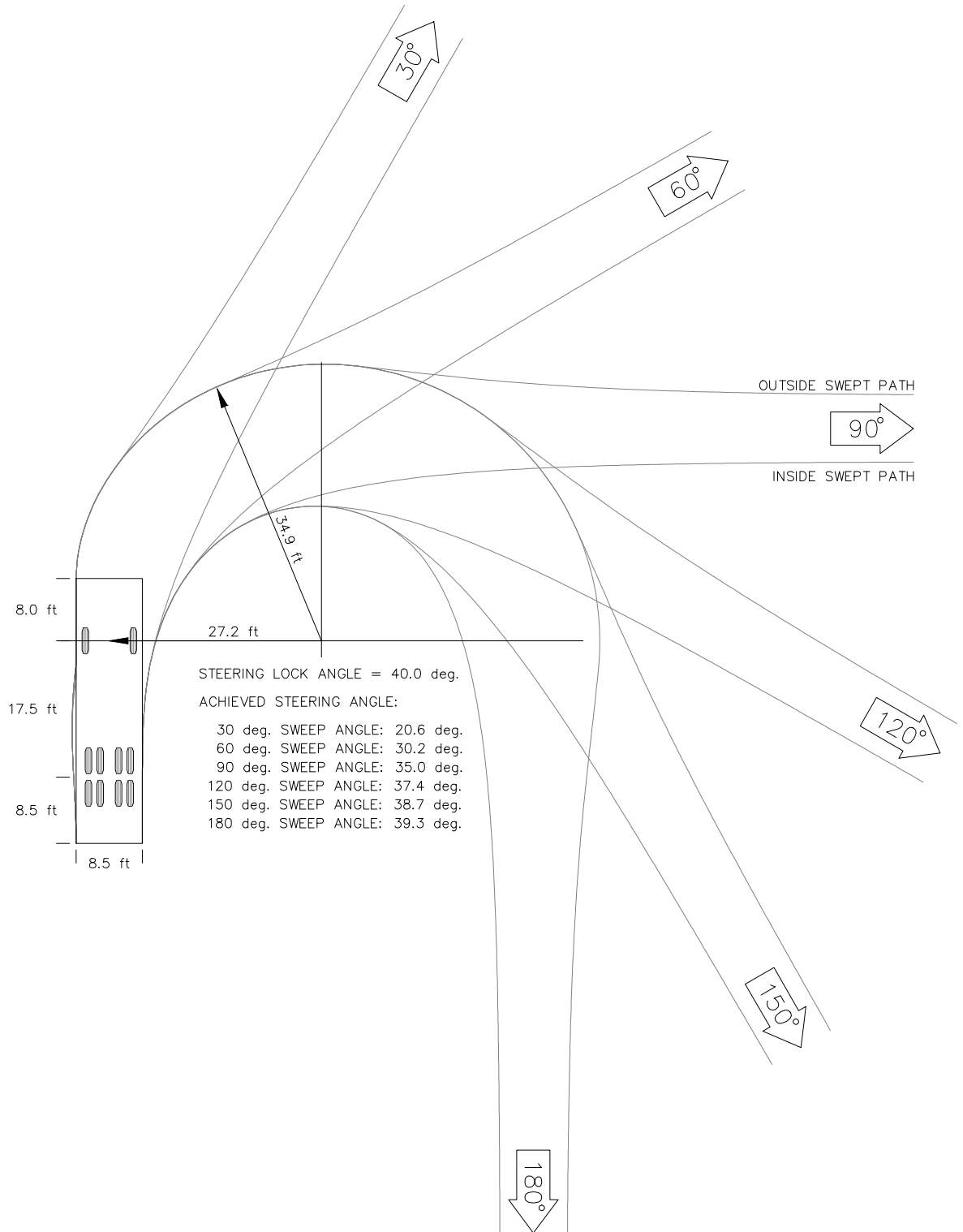
OPTIONAL ANGLED DIRECT ACCESS  
(ACCEPTABLE WITH APPROVAL)

## STANDARD BIN ENCLOSURE LAYOUTS



**CITY OF ANN ARBOR  
PUBLIC SERVICES**  
301 EAST HURON STREET  
P.O. BOX 8647  
ANN ARBOR, MI 48107-8647  
734-794-6410  
www.a2gov.org

REV. NO.	DATE	DRAWN BY	CHECKED BY
<b>SOLID WASTE STANDARD DETAILS</b>			
DR. OHM	CH. CJE	DRAWING NO.	
SCALE N.T.S.	DATE 12/29/15	<b>PAGE 3</b>	



## CLEARANCE REQUIREMENTS FOR FRONT LOAD SOLID WASTE VEHICLE



**CITY OF ANN ARBOR  
PUBLIC SERVICES**  
301 EAST HURON STREET  
P.O. BOX 8647  
ANN ARBOR, MI 48107-8647  
734-794-6410  
www.a2gov.org

REV. NO.	DATE	DRAWN BY	CHECKED BY
<b>SOLID WASTE STANDARD DETAILS</b>			
DR. OHM	CH. CJE	DRAWING NO.	
SCALE N.T.S.	DATE 12/08/15	<b>PAGE 4</b>	

## GENERAL NOTES:

1. A CLEAR SPACE MUST BE MAINTAINED DIRECTLY IN FRONT OF THE SOLID WASTE ENCLOSURE. THE CLEAR SPACE SHALL BE A MINIMUM OF FIFTY (50) FEET LONG BY THE WIDTH OF THE INSIDE DIMENSION OF THE ENCLOSURE PLUS FIVE (5) FEET ON BOTH SIDES. ALONG THE ENTIRE SOLID WASTE VEHICLE ROUTE A VERTICAL CLEARANCE OF AT LEAST TWENTY-FIVE (25) FEET MUST BE PROVIDED.
2. IF FORWARD ACCESS TO THE PUBLIC STREET IS NOT AVAILABLE FOR THE SOLID WASTE TRUCK, THE SITE DEVELOPMENT LAYOUT MUST ACCOMMODATE A TURN-AROUND LOCATION FOR THE SOLID WASTE TRUCK.
3. GATES ON BIN ENCLOSURES MUST BE DESIGNED TO OPEN A MINIMUM OF 120 DEGREES FROM THE CLOSED POSITION. THE GATES SHOULD NOT IMPEDE ON THE REQUIRED BIN ENCLOSURE OPENING WIDTH, SHOULD NOT BLOCK ADJACENT PARKING SPOTS, AND NOT BE IMPEDED BY ADJACENT CURBS OR LANDSCAPING.
4. GATES SHALL BE DESIGNED TO BE FREE STANDING WITHOUT CENTER POLE DESIGN. IF CENTER POLE DESIGN IS NECESSARY, 12-INCHES SHALL BE ADDED TO THE OVERALL WIDTH OF THE ENCLOSURE.
5. GATE DESIGN SHALL INCLUDE A RELIABLE MEANS TO SECURE THE DOOR IN BOTH THE OPEN AND CLOSED POSITIONS.
6. THE CONCRETE SLAB IN FRONT OF THE BIN ENCLOSURE SHALL HAVE PAVEMENT MARKINGS TO INDICATE "NO PARKING", AS APPROVED BY CITY.
7. REFER TO ASSOCIATED STANDARD DETAILS FOR REQUIREMENTS ON SINGLE AND DOUBLE WIDE SOLID WASTE BIN ENCLOSURE LAYOUT AND DESIGN CRITERIA. THE CITY SHALL HAVE THE ABILITY TO MODIFY OR INTERPRET THESE DETAILS AS NECESSARY, TO ACCOMMODATE THE CITY OR CITY CONTRACTOR NEEDS IN REGARDS TO SOLID WASTE PICK-UP.
8. REFUSE EQUIPMENT ACCESS ROADS AND SERVICE AREA SURFACES SHALL BE DESIGNED AND MAINTAINED TO SUPPORT THE IMPOSED LOADS OF COLLECTION TRUCKS WEIGHING UP TO 66,000 LBS GROSS VEHICLE WEIGHT (GVW) AND SHALL BE PROVIDED WITH AN APPROVED SURFACE SO AS TO PROVIDE ALL WEATHER DRIVING CAPABILITIES. PROPERTY OWNER SHALL BE RESPONSIBLE FOR ALL SNOW AND ICE REMOVAL REQUIRED FOR SAFE ACCESS OF SOLID WASTE VEHICLES.
9. THE SOLID WASTE ENCLOSURE SHALL BE LOCATED A MINIMUM OF TEN (10) FEET AWAY FROM MAJOR ELECTRICAL EQUIPMENT, ABOVE GROUND UTILITY SERVICES, TREE BRANCHES OR OTHER OVERHEAD OBSTRUCTIONS.



**CITY OF ANN ARBOR  
PUBLIC SERVICES**  
301 EAST HURON STREET  
P.O. BOX 8647  
ANN ARBOR, MI 48107-8647  
734-794-6410  
www.a2gov.org

REV. NO.	DATE	DRAWN BY	CHECKED BY
<b>SOLID WASTE STANDARD DETAILS</b>			
DR. OHM	CH. CJE	DRAWING NO.	
SCALE N.T.S.	DATE 01/07/16	<b>PAGE 5</b>	